

DUC *Helices*



ISO 9001:2008 Certified Company
for its Quality System Management

www.duc-helices.com – contact@duc-helices.com

New propeller

FLASHBLACK

In-Flight Adjustable propeller



DUC *Helices*



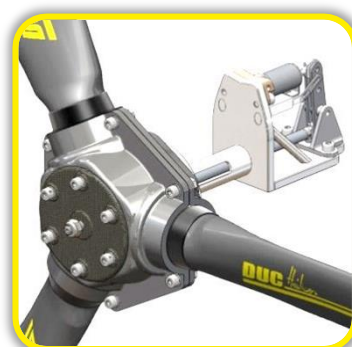
FLASHBLACK

in-Flight Adjustable propeller



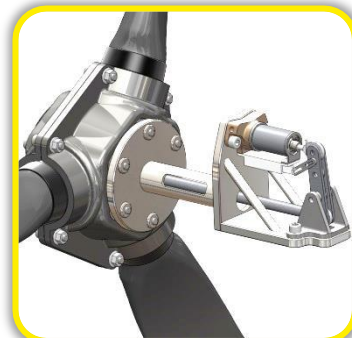
»» Description

- In-flight adjustable propeller with carbon/titanium blade and carbon hub
- Propeller weight extremely low; Titanium bolts
- Management of the pitch by "Constant speed" box & Visual indicator in flight
- Wide range of pitch variation & Safety stops small/large pitch
- Optimized performance for all phases of flight
- Hydraulic power with manual or electric control
- Low consumption & noise reduction
- Innovative high-precision manufacturing



»» Characteristics

- Tractor; 2-blade or 3-blade
- Propeller weight: 10.8lbs in 2-blade & 14.3 in 3-blade
- Pitch angle adjustable, amplitude max. : 23°
- Compatible with hollow shaft engine (Rotax 912S, 912iS, 914)
- Diameters Ø1520 to Ø1900mm (Ø60" to Ø75")
- Shielding leading edge in Inconel®



»» Version

BASE: 2-blade/3-blade FLASHBLACK prop. (13 & 16.5lbs) 7876/9407 USD
included Pitch indicator & Hydraulic setting wheel

CONSTANT SPEED: Hydraulic pump & Constant Speed box (+1.6lbs) +1281 USD

