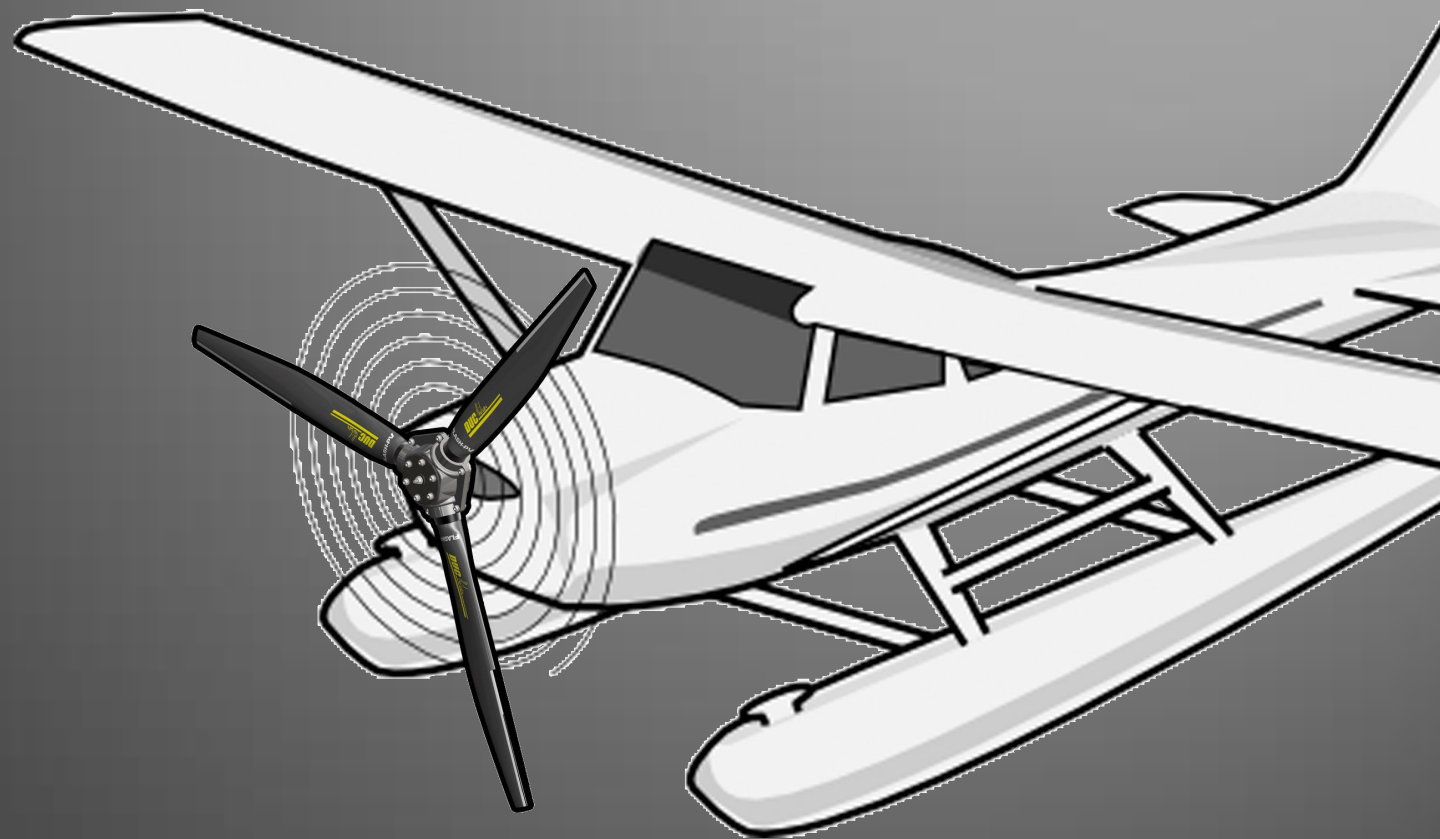


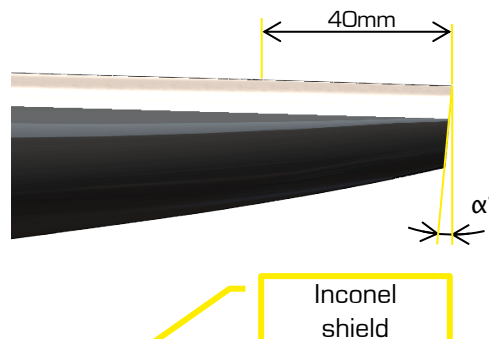
# Propellers optimization HYDRO VERSION



## Propellers optimization HYDRO VERSION

### » Description

- High water resistance and abrasion
- Metal leading edge in Inconel
- Development of a specific blade tip:
  - Structure monolithic carbon (40mm)
  - Optimized cutting for splash
- No additional cost



### » Availability



Item	Reference	Part Number
Three-blade Hydro Inconel <b>FLASHBLACK</b> propeller, Right	01-27-003	H-FSH_3-D-PV_H_I
Two-blade Hydro Inconel <b>FLASHBLACK</b> propeller, Right/Left	01-26-003	H-FSH_2-D-PV_H_I
Three-blade Hydro Inconel <b>FLASH</b> propeller, Right/Left	01-21-003 01-21-004	H-FSH_3-D-H_I H-FSH_3-G-H_I
Two-blade Hydro Inconel <b>FLASH</b> propeller, Right/Left	01-19-003 01-19-004	H-FSH_2-D-H_I H-FSH_2-G-H_I
Three-blade Hydro Inconel <b>FLASH2</b> propeller, Left	01-23-004	H-FSH2_3-G-H_I
Three-blade Hydro Inconel <b>SWIRL</b> propeller, Right/Left	01-05-003 01-05-004	H-SW_3-D-H_I H-SW_3-G-H_I