

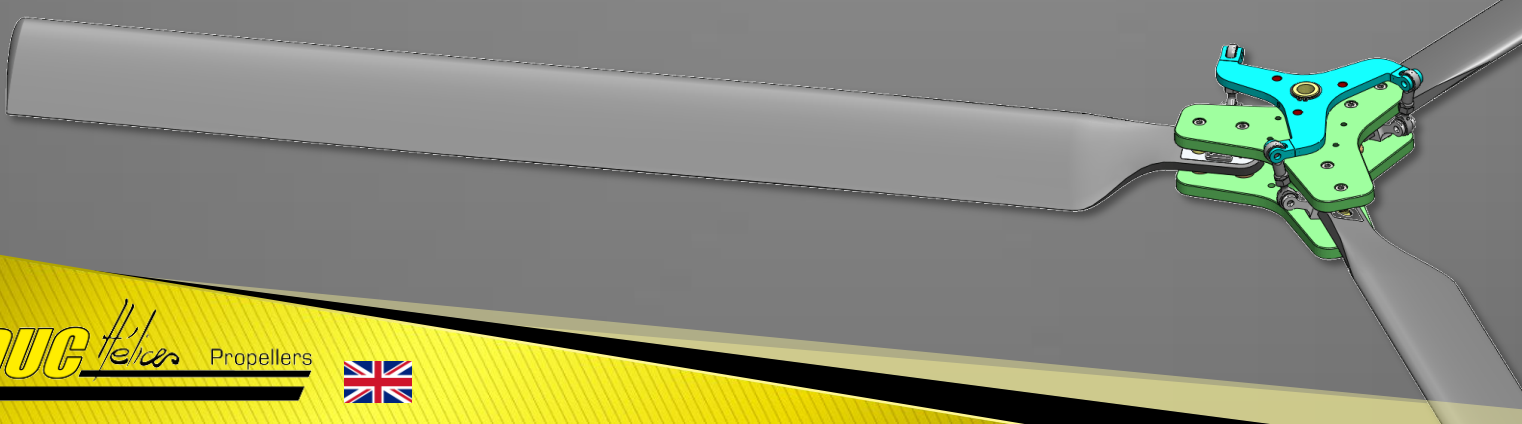
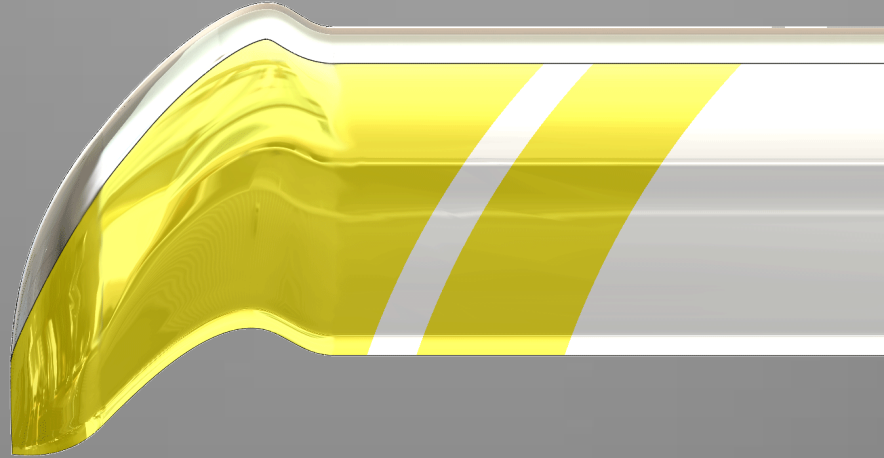
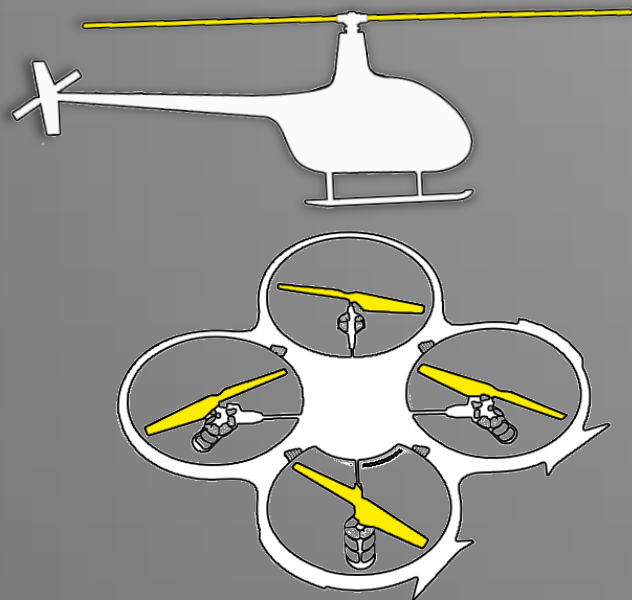
New Developments

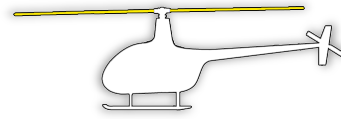
MULTI-COPTER Rotor

&

ROTOR SPOON Concept

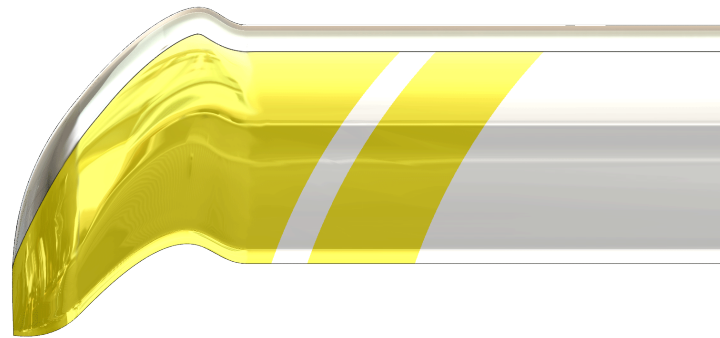
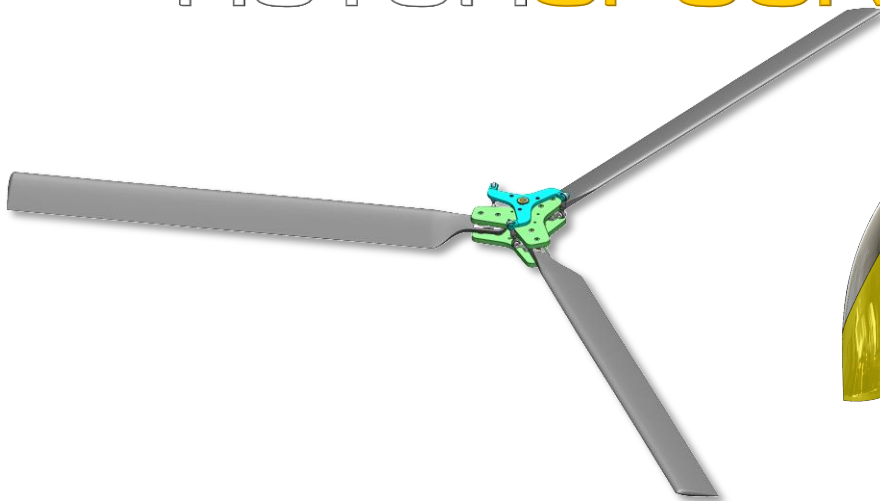
Helicopter main rotor blade concept range





New Developments

MULTI-COPTER Rotor ROTOR SPOON Concept



>>> Characteristics

- 4m length capability
- Pressure of 100 tons
- Homogeneous pressure
- Heating plates
- Industrial process
- 3D laser projection for draping

